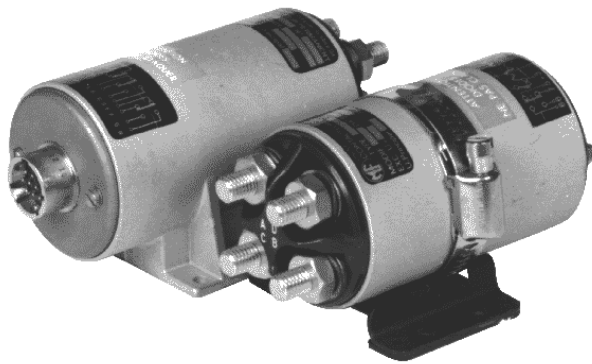


ENGINEERING DATA SHEET

SERIES 328

CONTACTOR

1PDT-DB-DM+AUX, 300 AMP/28 VDC



Permanent duty
 Main contact **1NO + 1NC**
 Auxiliary contact **2NO + 2NC**
 Coil supply **Direct current**
 - Polarized and protected coil **See schematic diagram**
 Meets the requirements of **AIR 7304 AIR 8456B**
AIR 9456 MIL 6106J

PRINCIPLE TECHNICAL CHARACTERISTICS

Contacts rated at **300 A / 28 Vdc**
 Weight
 - Ref. P/N: 328 **870 g ±10%**
 - Ref. P/N: S328 **920 g ±10%**
 - Ref. P/N: M328 **945 g ±10%**
 Maximum size **130mm x 70mm x 62.5mm**
 Dust proof metal can.

CONTACT ELECTRICAL CHARACTERISTICS

Contact rating per pole and load type	Load Current in Amps @28Vdc	
	Resistive	300 (In)
Inductive	180	
Motor	300	
Overload	8 In [1]	
Rupture	10 In [2]	
I minimum	In/10	
Auxiliary contact rating	@28Vdc	@115Vac/400Hz
Resistive	5	5
Inductive (L/R=5ms)	2.5	2.5
Lamp	2	2

Notes:

- [1] 2400 Amps for 50 cycles; duty cycle: .2 sec on, 20 sec off.
- [2] 3000 Amps for 50 cycles; duty cycle: .2 sec on, 20 sec off.
- 3. Other models available upon request. Contact factory.
- [4] Additional temperature ratings available.

LEACH® INTERNATIONAL

Solutions for Power Switching and Control

www.leachintl.com

North America
 6900 Orangethorpe Ave.
 P.O. Box 5032
 Buena Park, CA 90622 USA

Tel: (01) 714-736-7599
 Fax: (01) 714-670-1145

Europe, SA
 2 Rue Goethe
 57430 Sarralbe
 France

Tel: (33) 3 87 97 98 97
 Fax: (33) 3 87 97 84 04

Asia-Pacific Ltd.
 20/F Shing Hing Commercial Bldg.
 21-27 Wing Kut Street
 Central, Hong Kong

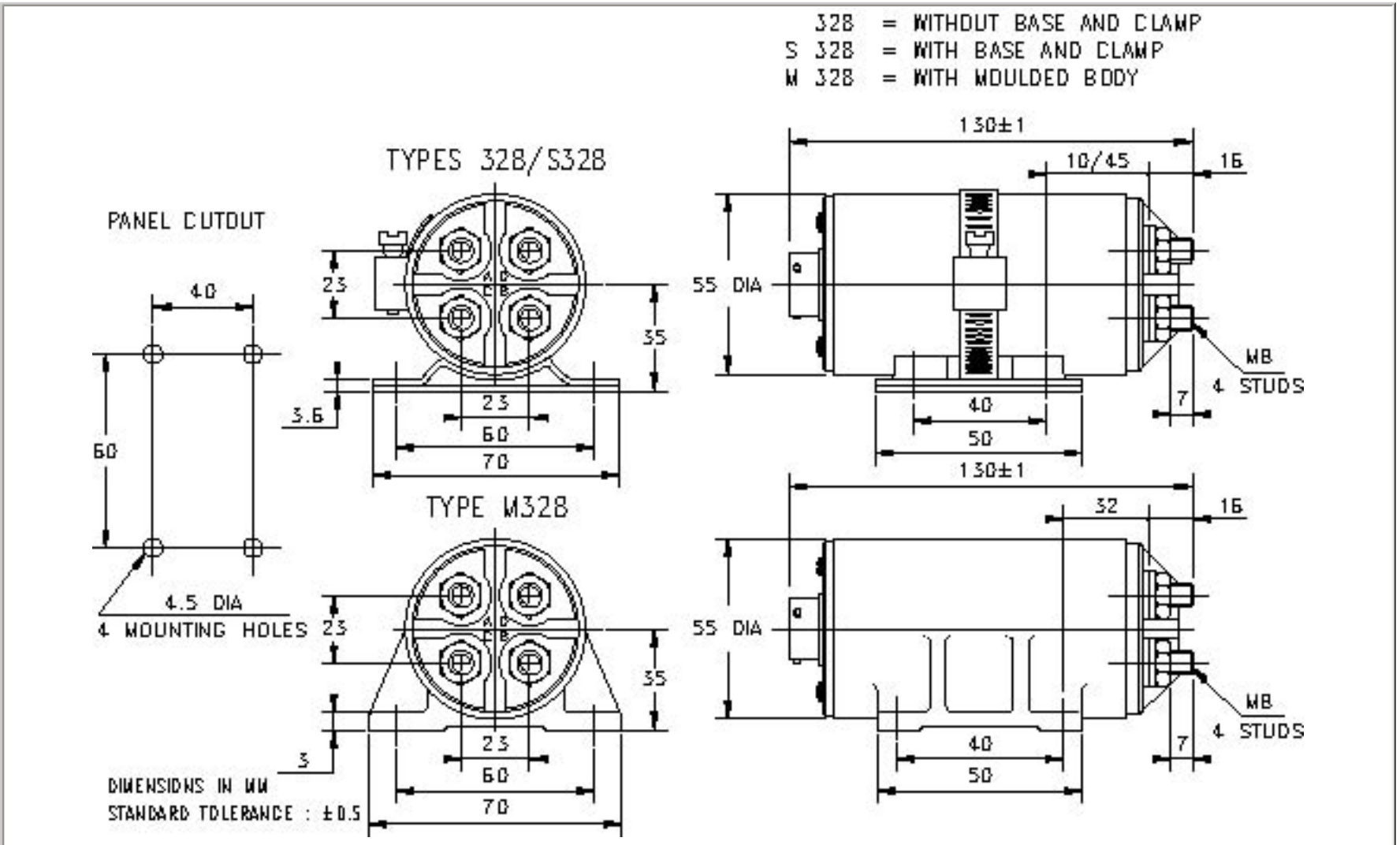
Tel: (852) 2 191 2886
 Fax: (852) 2 389 5803

COIL CHARACTERISTICS AT 20 °C**SERIES 328**

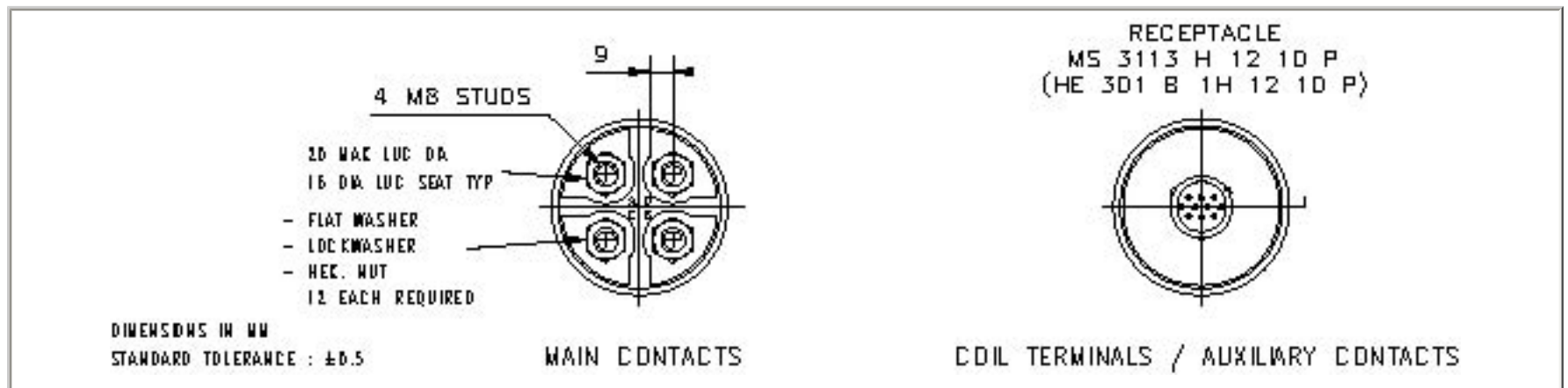
Nominal operating voltage	28 Vdc
Maximum operating voltage	32 Vdc
Maximum pickup voltage	18 Vdc
Drop-out voltage	2 Vdc min. to 8 Vdc max.
Cut-in current	10 A at 28 Vdc
Holding current	300 mA at 28 Vdc

GENERAL CHARACTERISTICS

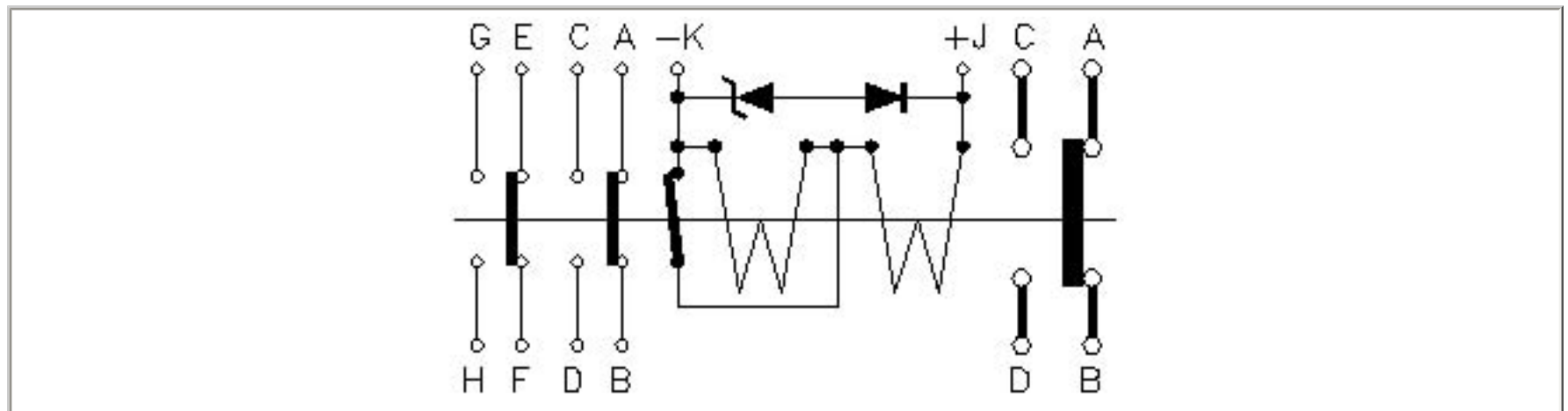
Temperature range	-55°C to +85°C [4]
Minimum operating cycles (life) at rated load	50,000 cycles
Dielectric strength at sea level	500 Vrms
Dielectric strength at altitude 25,000 m	300 Vrms
Insulation resistance at 500 Vdc	100 M Ω
Sinusoidal vibration	10 G / 5 to 2000 Hz
Shock	30 G / 11 ms
Maximum contact opening time under vibration and shock	10 μs
Maximum operate time at 28 Vdc	30 ms
Maximum release time at 28 Vdc	20 ms
Main contact voltage drop	
- Initial value	120 mV
- After endurance test	180 mV
Auxiliary contact voltage drop	
- Initial value	60 mV
- After endurance test	120 mV
Auxiliary contacts	
- Contact resistance (low level)	1 Ω
- I minimum	2 mA
Assembly torque	
- Main contact terminals	8.3 Nm



TERMINAL TYPES



SCHEMATIC DIAGRAM



NUMBERING SYSTEM

	S	328
1 - Mounting Style (S,M)		
2 - Basic series designation		